

**Technical Features :**

**Maximum working pressure (PS):**

2175 PSI, 150 Bar

**Test pressure (PT):** PS x 1,43 / 1,3 / 1,5

**Body:** in AISI 316 L stainless steel

**Flat diaphragm:** in PTFE (Teflon)

**Standard nitrogen valve :** 5/8" UNF

**Installation:** in every position

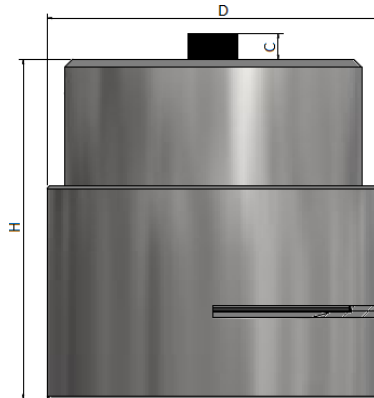
**Mechanical life:** the number of cycles is inversely proportional to the increase of the compression ratio. For pulsation dampener applications, the nitrogen value must be from 60% to 80% of the working pressure also in relation with the type of pump and the working temperature.

**Warranty:** see dedicated page

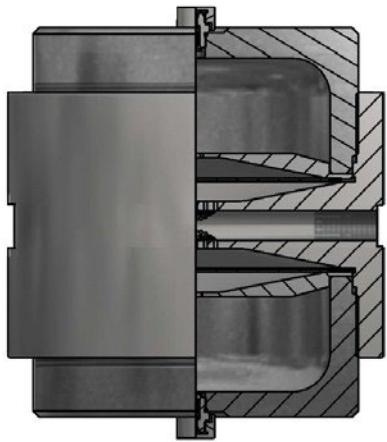
**Spare parts:** see dedicated page

**Also available:**

- Outside epoxy painted as per standard FOX procedure or as per project specification
- Connection with flange SAE 3000 - SAE 6000, ANSI B16.5 or UNI/DIN
- Connection API spec. 6A type 6BX
- Autoclave or Grayloc connection
- Integral flange connection
- Special connection on request
- Special execution for high pressure
- Exotic material or carbon steel execution
- Flat diaphragm FDA certified
- Lapped / electro polished execution for pharmaceutical applications
- Special volume on request
- Double diaphragm sandwich type with rupture diaphragm detector (pressure switch, pressure transmitter, pressure gauge or piston)

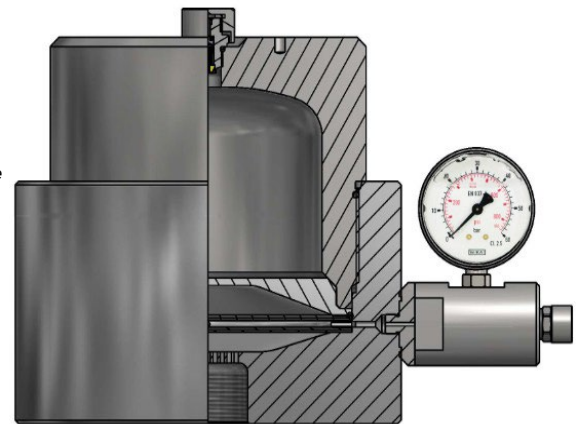


Drawing No 1



Double single diaphragm for in line flow-through

Double sandwich diaphragm with rupture diaphragm detector



**On request, according to:**

- ❖ CE (2014/68/EU- PED)
- ❖ ATEX (2014/34/EU)
- ❖ ASME VIII Div.1 or Div.2 Latest Edition
- ❖ U-Stamp + NB
- ❖ EN 14359
- ❖ PD5500 (UK)
- ❖ EN 13445
- ❖ AS1210/4343 (Australia)
- ❖ ARH (Algeria)
- ❖ KOSHA (Korea)
- ❖ SELO (China)
- ❖ CU-TR 032/2013 (Russia)
- ❖ DOSH (Malaysia)
- ❖ NR-13 (Brasil)
- ❖ CRN (Canada)
- ❖ BV
- ❖ DNV / RINA
- ❖ Lloyd's / ABS

Model	Nitrogen Volume cu.in/Lt	Max Pressure psi/Bar	Max N2 precharge psi/Bar	H mm	D mm	C mm	Hydraulic Connection	Weight Kg	Drawing
MPX1.5	91/1.5	2175/150	1522/105	205	200	22	1-1/2" BSP-F	35	1
MPX2.5	152/2.5	2175/150	1522/105	300	200	22	1-1/2" BSP-F	48	1
MPX5.5	335/5.5	2175/150	1522/105	280	300	22	2" BSP-F	88	1
MPX7.5	457/7.5	2175/150	1522/105	330	300	22	2" BSP-F	95	1
MPX10	610/10	2175/150	1522/105	420	300	22	2" BSP-F	102	1
MPX12	732/12	2175/150	1522/105	470	300	22	2" BSP-F	110	1